

PLAN VIEW - A

SCALE: 1/2" = 1' - 0"

SPECIFICATIONS

11'-7" X 7'-9" X 8'-6"

INSTALLATION

- INDOOR
- LOADING HEIGHT - AT LEAST 18" OF OPEN SPACE MUST BE MAINTAINED BETWEEN TOP OF PRODUCT AND CEILING PANELS

INSULATION

- FOAMED IN-PLACE POURED URETHANE

EXTERIOR FINISH

- EMBOSSED GALVALUME

INTERIOR FINISH

- EMBOSSED GALVALUME

FLOOR FINISH

- (INTERIOR) 1/8" DIAMOND TREAD
- (EXTERIOR) EMBOSSED GALVALUME

DOORS/ACCESSORIES

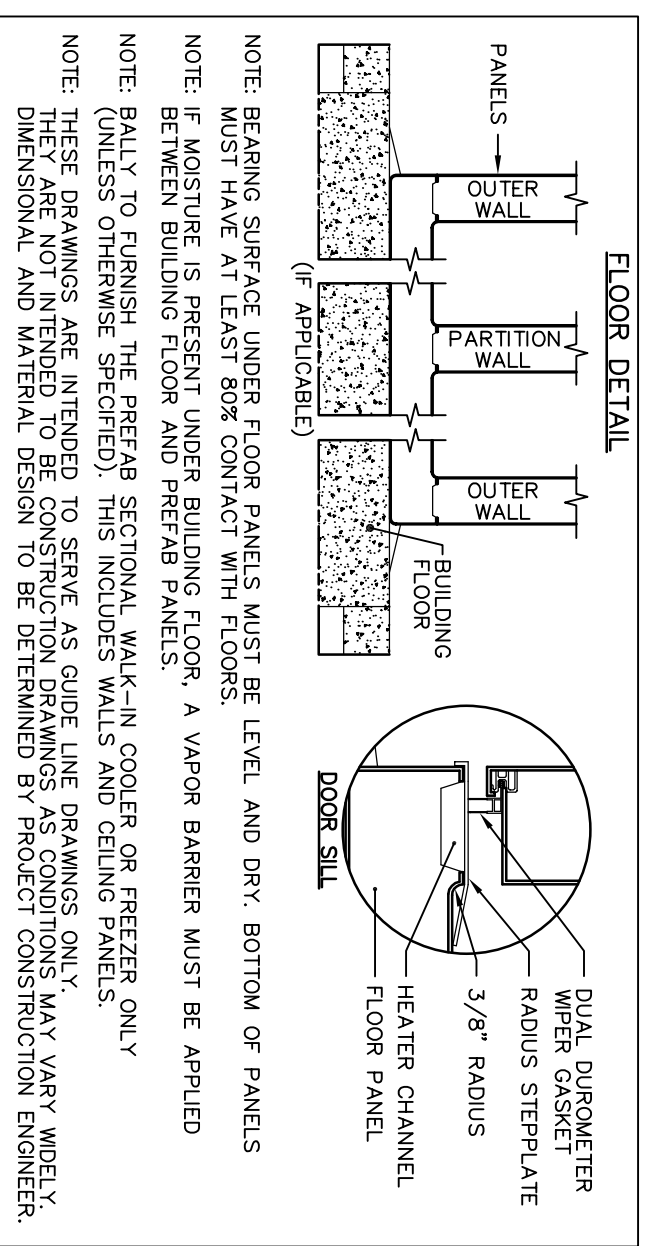
- (1) 36" X 78" LEFT SWING HINGED WALK-IN DOOR
- (1) 36" X 78" RIGHT SWING HINGED WALK-IN DOOR

Door Options:

- (2) Heated Threshold With Radius Steeple
- (2) Pressure Relief Port

REFRIGERATION - BY BALLY

QTY	HP	REFRIG TYPE	MODEL NUMBER	POWER SUPPLY	COMPRESSOR RLA LRA	FAN MTRS HP FLA	TOTAL WMTS DEFROST	AMPS	MOA	MAX KWHP
1	0.6	R404A	BEH4006-EG-HS2BB	208-230/1/60	10.9 59.0	1	1.2		14.8	25 C
1	1	R404A	BLP106MA-S1BP-EC	115/1/60	10.3 59.2	1	1/15 1.0		1.3	15 C
1	2.0	R404A	BEH4019-16-HS2BW	208-230/1/60	10.3 59.2	1	0.5		13.3	20 F
1			BTLO66-LE-S2A	208-230/1/60		2	1/25 1.4		1940	6.7 F



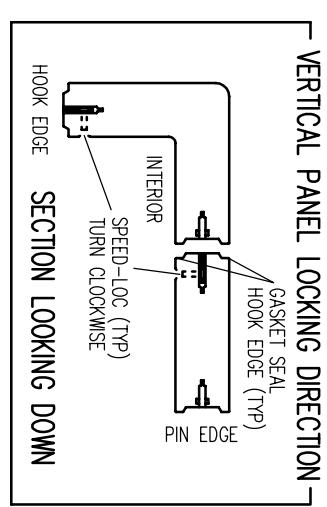
FLOOR DETAIL

NOTE: BEARING SURFACE UNDER FLOOR PANELS MUST BE LEVEL AND DRY. BOTTOM OF PANELS MUST HAVE AT LEAST 80% CONTACT WITH FLOORS.

NOTE: IF MOISTURE IS PRESENT UNDER BUILDING FLOOR, A VAPOR BARRIER MUST BE APPLIED BETWEEN BUILDING FLOOR AND PREFAB PANELS.

NOTE: BALLY TO FURNISH THE PREFAB SECTIONAL WALK-IN COOLER OR FREEZER ONLY (UNLESS OTHERWISE SPECIFIED). THIS INCLUDES WALLS AND CEILING PANELS.

NOTE: THESE DRAWINGS ARE INTENDED TO SERVE AS GUIDE LINE DRAWINGS ONLY. THEY ARE NOT INTENDED TO BE CONSTRUCTION DRAWINGS AS CONDITIONS MAY VARY WIDELY. DIMENSIONAL AND MATERIAL DESIGN TO BE DETERMINED BY PROJECT CONSTRUCTION ENGINEER.



VERTICAL PANEL LOCKING DIRECTION

HOOK EDGE

INTERIOR

SPEED-LOC (TOP) TURN CLOCKWISE

GASKET SEAL

HOOK EDGE (TOP)

PIN EDGE

AIR GAP RECOMMENDATION

BALLY RECOMMENDS AIR GAPS BETWEEN BALLY FLOOR PANELS AND BETWEEN BUILDING WALLS FOR PROPER AIR CIRCULATION.

SYMBOL LEGEND

S - ELECTRICAL CONNECTION

BALLY FLOOR PANEL GUIDELINES

STATIONARY LOAD: LIMIT 600 LBS. SQ. FT. (UNIFORMLY DISTRIBUTED)

MOBILE EQUIPMENT (DOLLIES OR CARTS): BALLY FLOOR PANELS MUST BE REINFORCED WITH FOAMED PLYWOOD UNDER INTERIOR FLOOR SKIN. (ALUMINUM DIAMOND TREAD OVERLAY IS ALSO AN OPTION).

WORK-LIFT USE: A MINIMUM OF 4" REINFORCED CONCRETE MUST BE POURED OVER BALLY FLOOR PANELS.

SIGNED APPROVAL

SIGNED _____

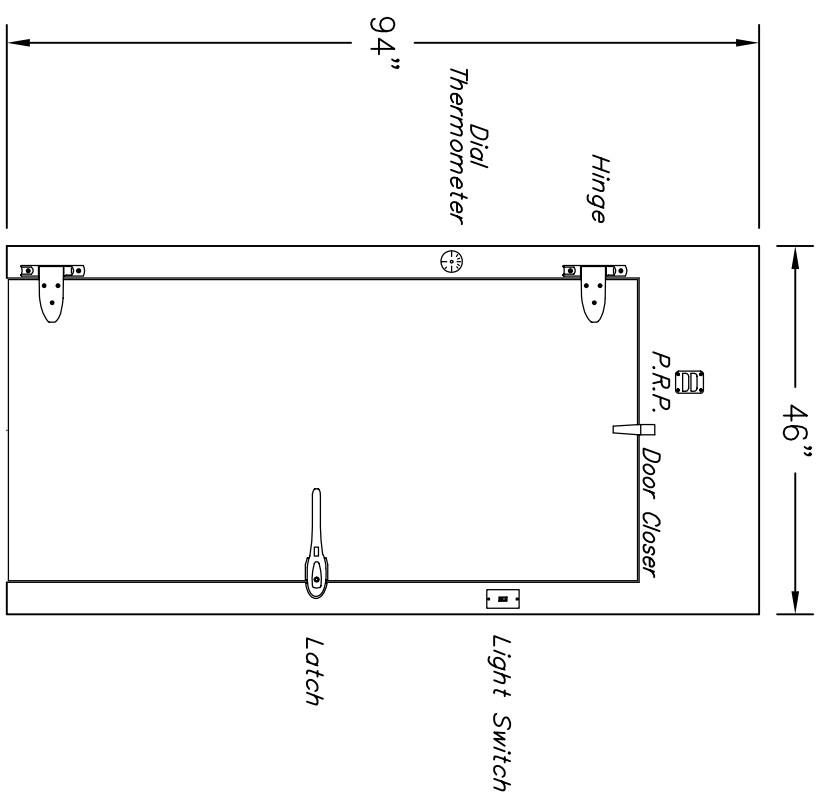
DATE _____

PLEASE READ

THIS DRAWING HAS BEEN CAREFULLY CHECKED BY OUR DRAFTING DEPARTMENT FOR CONFORMANCE WITH THE REQUIREMENTS MARKED "APPROVED". BE CERTAIN THAT YOU CHECK THEM CAREFULLY UNTIL RECEIPT OF APPROVED DRAWINGS BY BALLY.

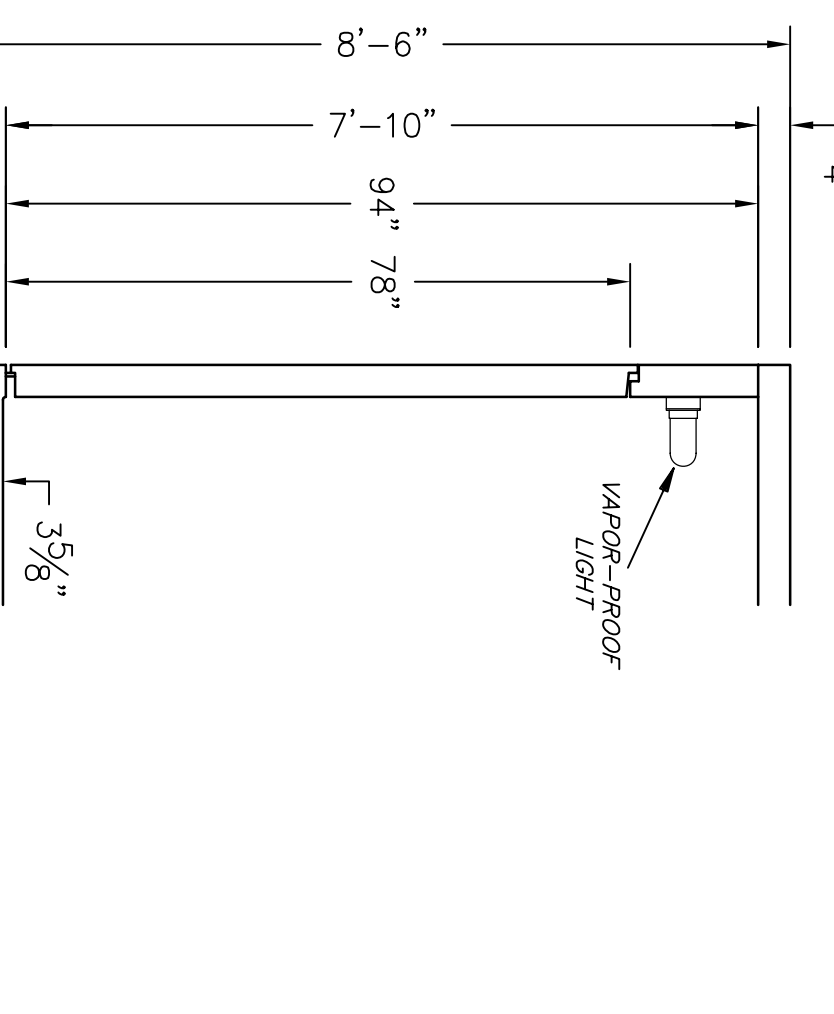
IMPORTANT - PLEASE READ

THESE DRAWINGS ARE NOT TO BE CONSIDERED AS APPROVED BY LOCAL OR STATE BUILDING AUTHORITIES. THEY HAVE BEEN PREPARED SOLELY FOR THE GUIDANCE OF REGISTERED ARCHITECTS, AND ENGINEERS, AND FOR THE ASSISTANCE OF LOCAL INSTALLERS. BALLY RECOMMENDS THE SERVICES OF A REGISTERED ARCHITECT OR ENGINEER FOR THE BUILDING DESIGN. BALLY REFRIGERATED BOXES, INC. IS NOT RESPONSIBLE FOR THE SUCCESSFUL COMPLETION OR USAGE OF THE STRUCTURE DESCRIBED. THE DRAWINGS AND SPECIFICATIONS DESCRIBE A BUILDING ASSEMBLED FROM MEETS DIMENSIONS SUBMITTED BY THE USER. BALLY REFRIGERATED BOXES, INC., PROVIDES PANELS FREQUENTLY SPECIFIED FOR ANY BUILDING OR WALK-IN APPLICATION. SELECTION OR RECOMMENDATION BY OTHERS OF THE PANEL FINISH FOR ANY BUILDING OR WALK-IN APPLICATION.



36" X 78" Left Hinged Walk-in Door (Door Panel Exterior Elevation)

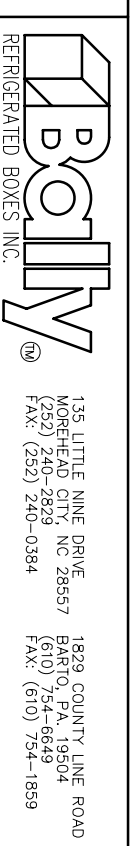
SCALE: NONE



SECTION VIEW THRU ENTRANCE DOOR

SCALE: 1/2" = 1' - 0"

SHEET 1 OF 1



BROKEN COOKIE

REV	DESCRIPTION	BY	DATE	DRAWING NUMBER	DATE	ORDER NUMBER
		J. MELCHER		104105AC	02/03/10	104105

RESTRICTED, CONFIDENTIAL DOCUMENT.

THIS DRAWING AND ALL INFORMATION SHOWN HEREON ARE THE EXCLUSIVE PROPERTY OF BALLY REFRIGERATED BOXES, INC. ARE SUBMITTED ONLY ON A CONFIDENTIAL BASIS. THE RECIPIENT AGREES NOT TO REPRODUCE, THE DRAWING, TO RETURN IT UPON REQUEST, AND THAT NO DISCLOSURE OF THE DRAWING OR THE INFORMATION SHOWN HEREON WILL BE MADE TO A THIRD PARTY WITHOUT PRIOR WRITTEN CONSENT FROM BALLY REFRIGERATED BOXES, INC.